

INFORMATION FOR OPTOMETRIST

(EN 10/2020)

The helmet goggle system I-RIDE VXC Base Set (parts A and B as well as the mounting kit) - but without glasses - is either provided by the customer or can be obtained by opticians at I-RIDE OG for resale - price on request.

The mounting of the carrier set (A) to the helmet is done by the customer.

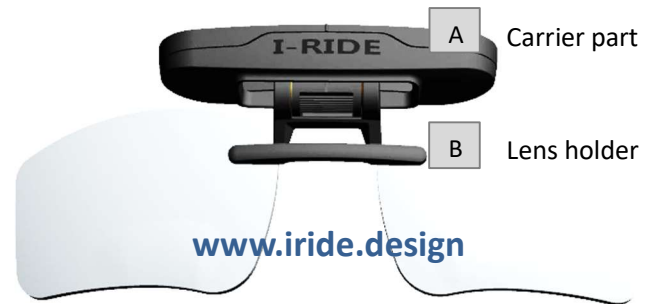
The glasses are supplied and mounted on the lens holder (B) by the optometrist.

Lenses: IND 1,6 / 1,67 - max. ~ +/- 5 Diopters
Boxing Height: 36 mm - Boxing Length: 55 mm

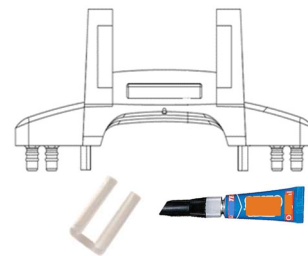
The color-coded shape must not be changed if the lens shape is different.

Lenses attachment by colorless double dowels / Nylon
Outside diameter: 2 mm
Inner diameter: 1.4 mm

Fasten with glue. Apply a small amount of glue, preferably with a thin needle, into the dowel openings after the dowels have already been cut to length in the glass.

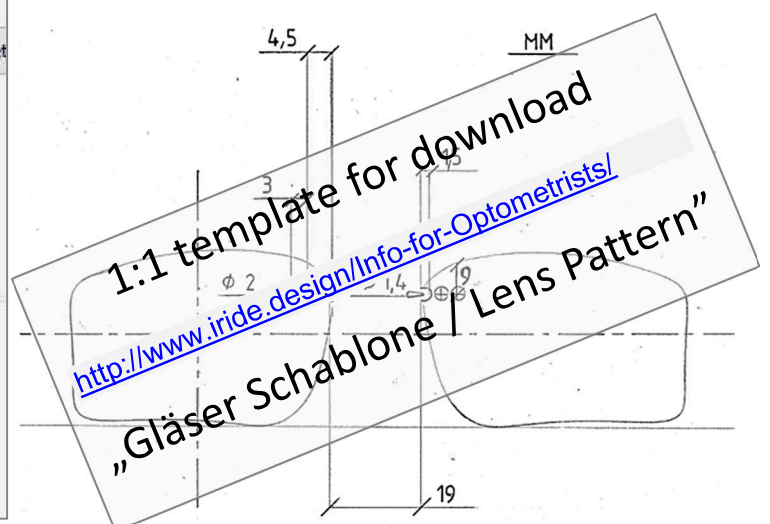
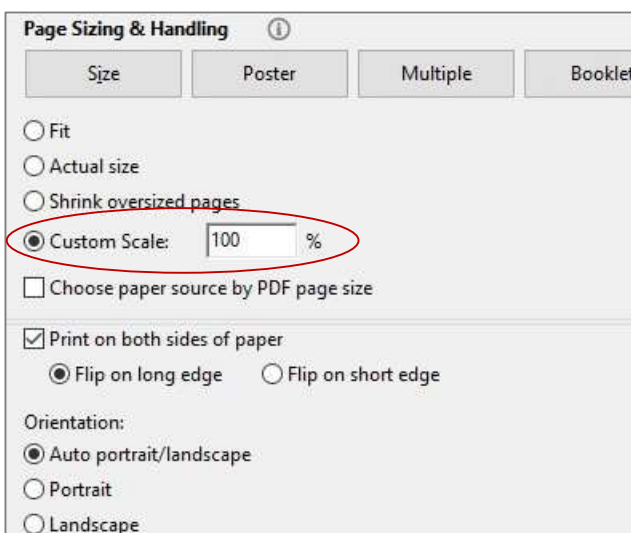


Recommended shape



- VIDEO – „Mounting the lenses
- DOWNLOAD – “Lens template”

<http://www.iride.design/Info-for-Optometrists/>



Pay attention to the correct printer settings and check the dimensional accuracy of the templates